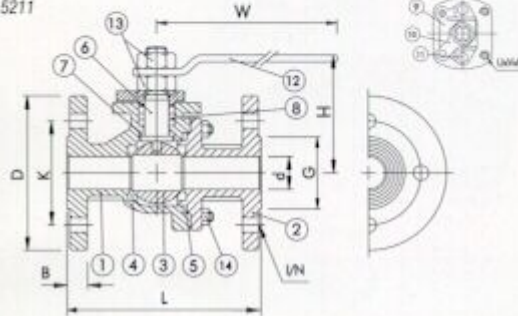


**G-2F** TYPE  
SIZE: 1/2" ~ 10"

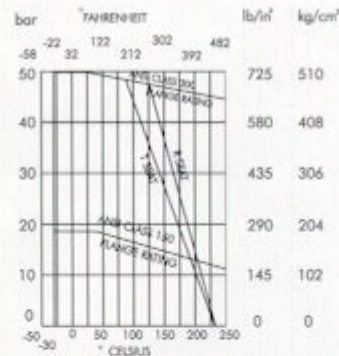
**DIN PN16, DIN PN40 STAINLESS STEEL**  
**ASTM A351-CF8M FLANGED END FULL**  
**PORT BALL VALVE**

- FEATURES:**
- \* 2-piece flanged ball valves
  - \* Body & cap in ASTM A351-CF8M
  - \* Trim in AISI 316
  - \* Seats in PTFE
  - \* Flange: DIN 2633 PN16
  - \* DIN 2635 PN40
  - \* Face to face: DIN3202 F1/F4/F5
  - \* Anti-static device, fire safe design
  - \* Blow-out proof stem, lever operated
  - \* Full port, solid ball
  - \* Mounting Pad ISO 5211

TEST PRES	SHELL	SEAT
AIR	24 BAR	16 BAR
HYDROSTATIC	69 BAR	60 BAR
FACE TO FACE	DIN 3202 F1, F4, F5	
DIM OF FLANGE	DIN 2633	
WALL THICKNESS	ANSI B16. 34	



ITEM	PARTS	MATERIAL
1	BODY	ASTM A351-CF8M
2	CAP	ASTM A351-CF8M
3	BALL	ASTM A351-CF8M
4	BALL SEATS	PTFE
5	JOINT GASKET	PTFE
6	STEM	AISI 316
7	THRUST WASHER	PTFE
8	STEM PACKING	PTFE
9	GLAND RING	AISI 316
10	STOPPER	AISI 304
11	STOP BOLT	AISI 304
12	HANDLE	AISI 304
13	HANDLE NUT	AISI 304
14	BOLT & NUT	AISI 304



NOMINAL SIZE	d	ISO 5211		L (DIN3202)			DIN-PN16				DIN-PN40				H	W	TORQUE KGF/CM		
		UxVxR	F1	F4	F5	D	K	G	B	I/N	D	K	G	B				I/N	
1/2"	15	15	4-42xM5 xP0.8	130	115	—	95	65	45	14	14/4	95	65	45	16	14/4	74	170	54
3/4"	20	20	4-42xM5 xP0.8	150	120	—	105	75	58	16	14/4	105	75	58	18	14/4	77	170	78
1"	25	25	4-42xM5 xP0.8	160	125	—	115	85	68	16	14/4	115	85	68	18	14/4	83	170	106
1-1/4"	32	32	4-50xM6 xP1.0	180	130	—	140	100	78	16	18/4	140	100	78	18	18/4	88	170	150
1-1/2"	40	38	4-70xM8xP1.25	200	140	—	150	110	88	16	18/4	150	110	88	18	18/4	123	250	200
2"	50	50	4-70xM8 xP1.25	230	150	—	165	125	102	18	18/4	165	125	102	20	18/4	132	250	290
2-1/2"	65	65	4-102xM10 xP1.5	290	170	—	185	145	122	18	18/4	185	145	122	22	18/8	157	320	500
3"	80	80	4-102xM10 xP1.5	310	180	—	200	160	138	20	18/8	200	160	138	24	18/8	166	365	770
4"	100	100	4-102xM10 xP1.5	350	190	—	220	180	158	20	18/8	235	190	162	24	22/8	182	365	1100
5"	125	125	4-125xM12 xP1.75	400	—	325	250	210	188	22	18/8	270	220	188	26	26/8	225	500	1500
6"	150	150	4-125xM12 xP1.75	480	—	350	285	240	212	22	22/8	300	250	218	28	26/8	240	600	1800
8"	200	200	4-125xM12 xP1.75	600	—	400	340	295	268	24	22/8	375	320	285	34	30/12	310	700	2400
10"	250	250	4-140xM16 xP2.0	730	—	450	405	355	320	26	22/12	450	385	345	38	30/12	325	800	3300